



Brand : BWT, Germany  
Name : CLAROPUR Backwash filter 3/4"  
Item Code : 10414

Designer :

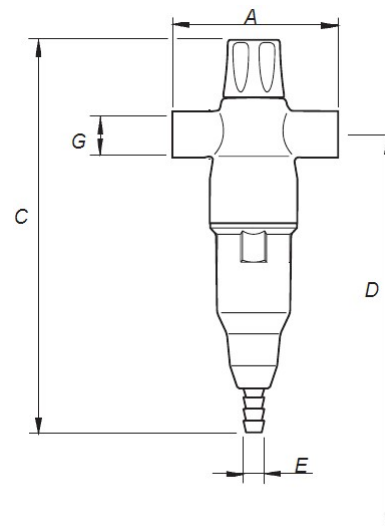
Color / Finish:

Dimensions : Overall (LxWxH in cm)  
10.6 x 28

**Product info:**

- Back wash filter
- Protects water water pipes and the connected water system parts from malfunctions and corrosion damage due to impurities such as rust particles, chippings, sand, hemp, etc
- Any impurities >90 µm are trapped on the inside of the filter cloth

Protector BW		Typ	3/4"	1"
Nominal connection width	G	DN	20	25
Hose connection, diameter	E	mm	14	14
Flow rate at Δp = 0,2 bar		m <sup>3</sup> /h	3,0	3,5
Lower/upper admission width		µm	90 / 110	
Nominal pressure (PN)		bar	16	
Water temperature		°C	5 - 30	
Ambient temperature max.		°C	5 - 40	
Overall length	A	mm	106	100
Total height	C	mm	280	280
Minimum distance pipe centre to floor D		mm	400	400
Minimum distance pipe centre to wall		mm	50	50
Operating weight, approx.		kg	1,8	1,7
PNR (= production number)			7-810404	



Flushing of pipe must be done before fittings are installed. Failure to do so voids the warranty.

Follow cleaning instructions and avoid using any harmful chemicals.

All information is for reference only. Installation shall always be based on the specs provided with actual delivered items.

For more info, visit [www.kuysen.com](http://www.kuysen.com)